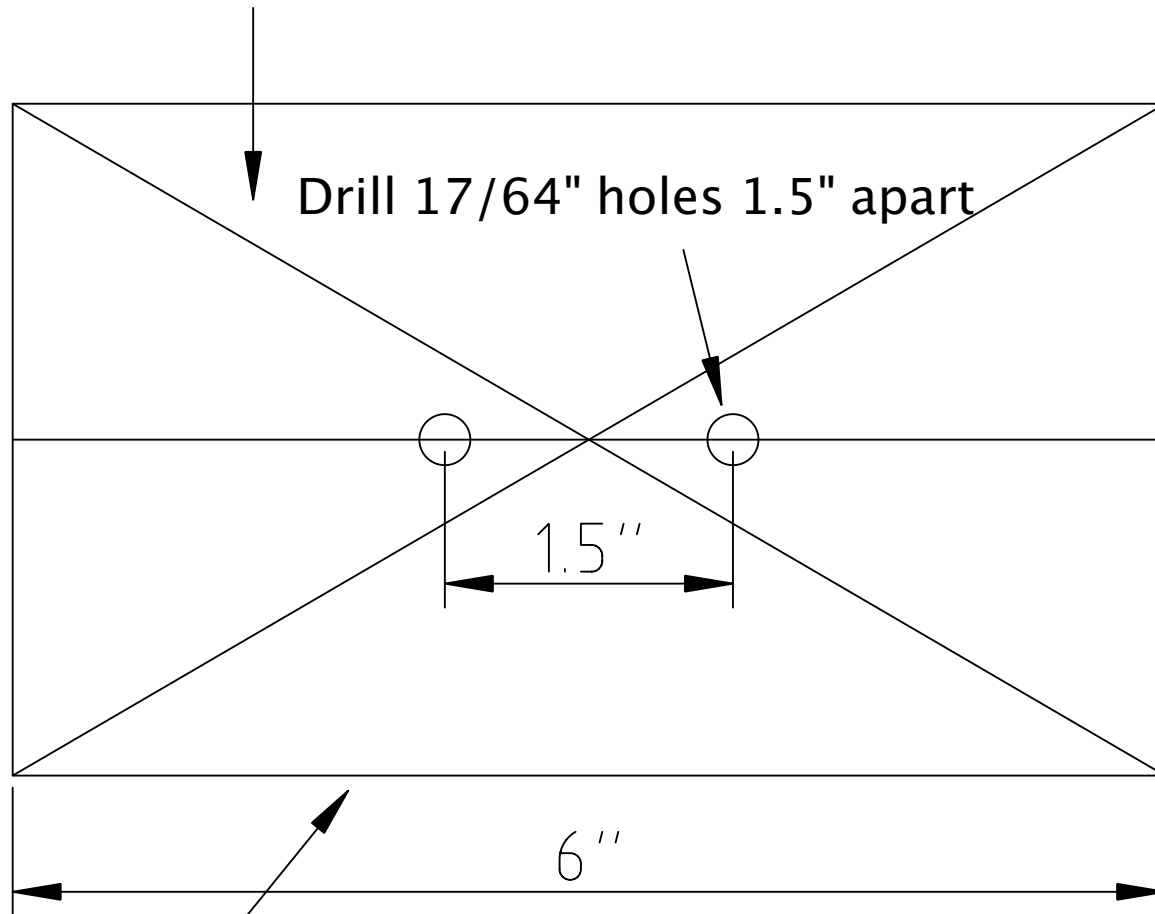


# Balance Gadget

Draw diagonal lines to find the center of the block



6 inch Piece of 2x4  
(2x4s are really 1 1/2" thick by 3 1/2" wide)

